

Antenna System 2.0 (AS-2)

Instructions

Getting Started

Thank you for purchasing an E.C.C. electronic device. Please take a moment to read and familiarize yourself with the following instructions prior to installing this circuit. The Antenna System 2.0 (AS-2) simulates the typical behavior of an aircraft warning light system during day and night. This circuit is suitable for Bridges, Water Towers, Radio Towers and any tall structure.

The Antenna System 2.0 (AS-2) operates as described next. The white strobe powered by terminals labeled “C” or **Common/Positive** and “R-” will flash a simulating “high-intensity white strobe” which is only in operation during the daytime. When the photocell is covered, a night time red beacon, or “Aircraft warning light” powered by terminals labeled “C” or **Common/Positive** and “R” will be activated after a 2 second delay to prevent a false trigger. This action simulates the fading of the red LED, typically seen during night time.

You should make all connections to the circuit prior to applying power. You can mount this circuit anywhere. We suggest mounting the circuit under the layout or inside the structure being animated. The circuit is equipped with holes for easy mounting; do not enlarge holes as doing so can cause damage to the circuit and will void your warranty.

White LED

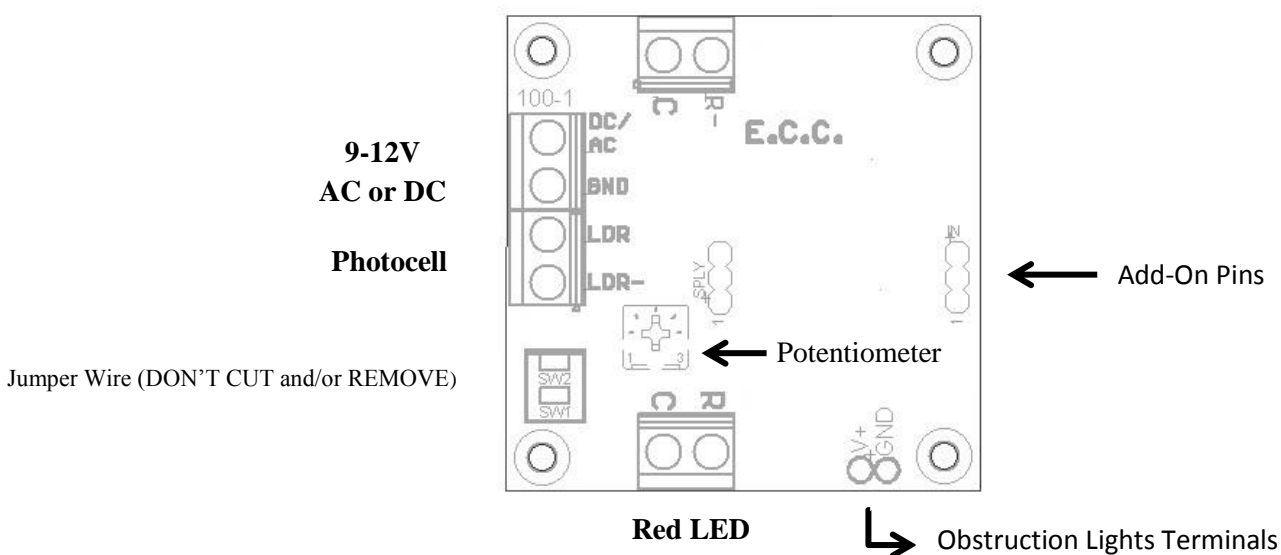


Figure 1- (Wiring)

Photocell

Photocell sensitivity can be adjusted by turning the potentiometer. To achieve this, first block the light from getting to the photocell and with a screwdriver, turn the potentiometer either clockwise or counterclockwise till the red LED turns on. We suggest the photocell be mounted within a 12" radius or less from the structure. For best results, extension wires can be soldered to the photocell, if necessary.

Power

The **AS-2** accepts AC or DC power (9V- 12V), **100mA Max**. This circuit is designed to operate under any straight DC or AC current provided the voltage doesn't exceed **12V, 100mA**. If you are using a power pack transformer we strongly recommend using the fixed AC output terminals. Not doing so will cause the circuit to overheat and fail, which will void the warranty.

Warranty

This Circuit is warranted to be free from defects in workmanship and materials for a period of ninety (90) days from the date of purchase. This warranty covers all defects experienced during normal operation with the exception of the following conditions:

1. If current or voltage limitations have been exceeded
2. If product has been modified in any way (e.g. Missing/Additional Components, Soldering)
3. If product has been mishandled or abused.

Requests for warranty service must contact us first to receive a RMA (Return Merchandize Authorization) at Eastcoastcircuits@gmail.com. In addition, please include a written description of the issue and original receipt. We currently accept PayPal at this time.

Support

We hope the abovementioned instructions are adequate for answering any questions you might have about the installation and operation of this circuit. However, if you still have any questions or problems with your circuit, technical support is available through email at Eastcoastcircuits@gmail.com.

Warning:

This product is not a toy. Keep away from children. it is not Suitable for children under the age of 14, as small parts and/or Broken parts may present a choking hazard. If swallowed, seek immediate medical help.

This product contains know Chemicals which are known to the state of CA to cause cancer, birth defects, or other reproductive harm