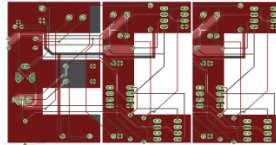


P.O BOX 25412  
Providence, RI 02905



East Coast Circuits

Email: Eastcoastcircuits@gmail.com  
Fax: 973-631-1284

## Traffic Light 1.0 (TL-1)

### Instructions

---

#### Getting Started

Thank you for purchasing an E.C.C. electronic device. Please take a moment to read and familiarize with the following instructions prior to installing this circuit. The Traffic Light 1.0 (TL-1) simulates the typical behavior of your typical traffic light.

The Traffic Light 1.0 (TL-1) operates as described next. Terminals R, Y, G and C illustrate the wires connections (Red, Yellow, Green and Common or Positive). Resistors are provided for use with various traffic lights readily available.

You should make all connections to the circuit prior to applying power. You can mount this circuit anywhere. We suggest mounting the circuit under the layout. The circuit is equipped with holes for easy mounting; do not enlarge holes as doing so can cause damage to the circuit and will void your warranty.

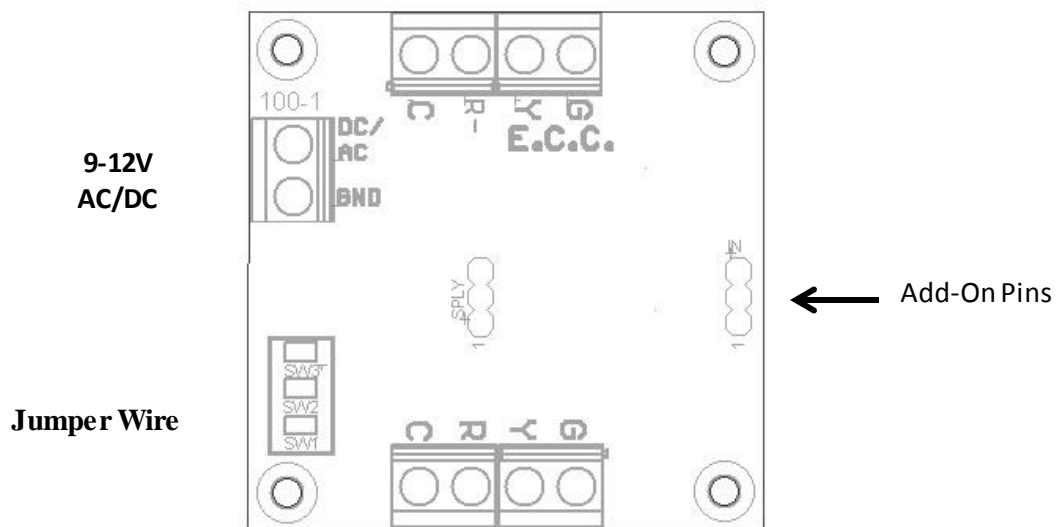


Figure 1- (Wiring)

## Multiple Traffic Lights

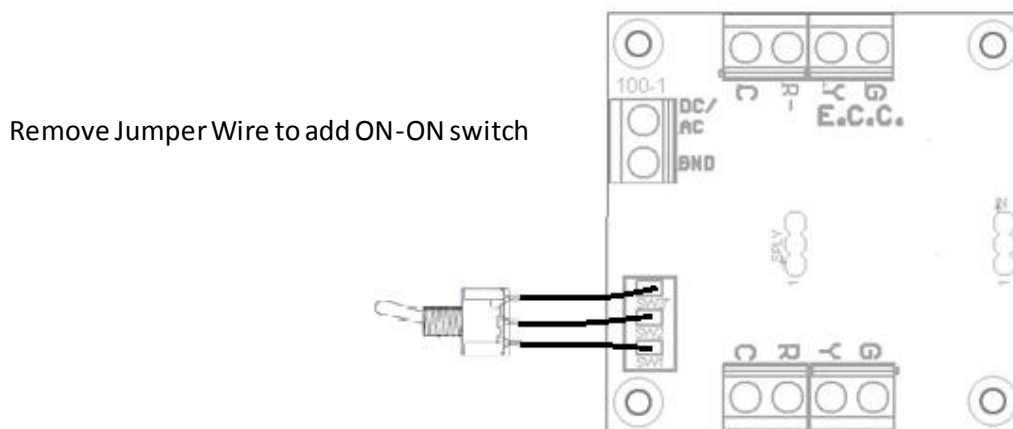
---

The **TL-1** is able to handle 4 single lane traffic lights, 2 double sided and 2 four sided Walther Cornerstone Series traffic lights.

## Additional Feature

---

This circuit is equipped with a night time operation sequence or caution and stop which consist of having the yellow and red lights flash, this sequence is usually used at night for intersections with low traffic volume. The road with minor movement (less traffic) gets the Red flashing light and the road with the major movement (more traffic) gets the yellow flashing light. For this feature to be triggered the jumper wire between pads **SW3** and **SW2** has to removed and replaced with an ON-ON toggle as show in **Figure 2**.



## Power

---

The **TL-1** accepts AC or DC power (9V- 12V), **100mA Max**. This circuit is designed to operate under any straight DC or AC current provided the voltage doesn't exceed **12V, 100mA**. If you are using a power pack transformer we strongly recommend using the fixed AC output terminals. Not doing so will cause the circuit to overheat and fail, which will void the warranty.

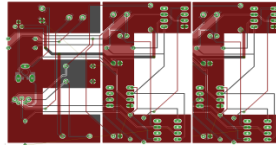
## Warranty

---

This Circuit is warranted to be free from defects in workmanship and materials for a period of ninety (90) days from the date of purchase. This warranty covers all defects experienced during normal operation with the exception of the following conditions:

1. If current or voltage limitations have been exceeded
2. If product has been modified in any way (e.g. Missing/Additional Components, Soldering)
3. If product has been mishandled or abused.

P.O BOX 25412  
Providence, RI 02905



East Coast Circuits

Email: [Eastcoastcircuits@gmail.com](mailto:Eastcoastcircuits@gmail.com)  
Fax: 973-631-1284

Requests for warranty service must contact us first to receive a RMA (Return Merchandize Authorization) at [Eastcoastcircuits@gmail.com](mailto:Eastcoastcircuits@gmail.com). In addition, please include a written description of the issue and original receipt.

## Support

---

We hope the foregoing instructions are adequate for answering any questions you might have about the installation and operation of this circuit. However, if you still have any questions or problems with your circuit, technical support is available through email at [Eastcoastcircuits@gmail.com](mailto:Eastcoastcircuits@gmail.com).

### Warning:

This product is not a toy. Keep away from children. It is not suitable for children under the age of 14, as small parts and/or broken parts may present a choking hazard. If swallowed, seek immediate medical help.

This product contains known chemicals which are known to the state of CA to cause cancer, birth defects, or other reproductive harm.